

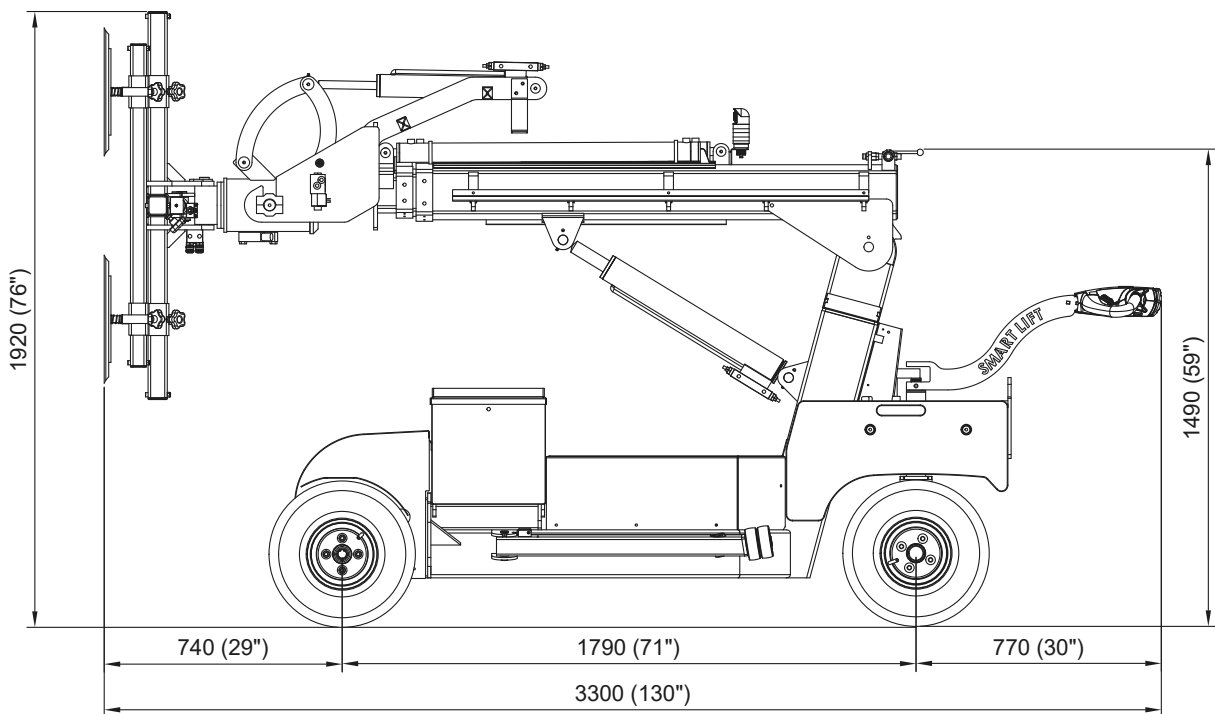
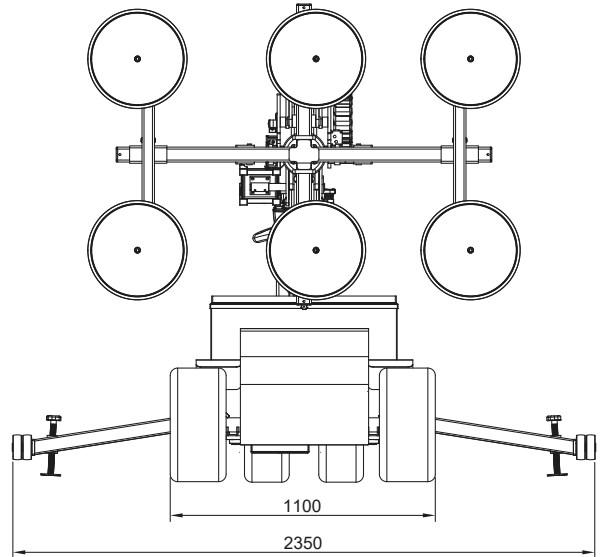


SMARTLIFT®

SL 808 OUTDOOR

TECHNICAL SPECIFICATIONS

| | |
|-------------------------|---|
| Lifting cap. arm in/out | 820 / 200 kg - 1,810 / 440 lbs. |
| Lifting height | 4,400 mm / 173 in. |
| Extension of arm | 2 x 830 mm / 2 x 33 in. |
| Tip from horizontal | 42° back / 86° fwd. |
| Side shift | 100 mm / 4 in. |
| Charging voltage | 230V / 110V |
| Charging time | Approx. 8 hrs. |
| Battery | 4 x 134 Ah AGM |
| Running period | Up to 8 hrs. |
| Front-wheel drive | 2000 W AC |
| Suction pads | 4 x Ø400mm & 2 x Ø300mm / 4 x Ø16 in. & 2 x Ø12 in. |
| Width | 1,010 mm / 40 in. |
| Curb weight | 1,300 kg / 2,860 lbs. |
| Class | IP 65 |



SL808 Outdoor

