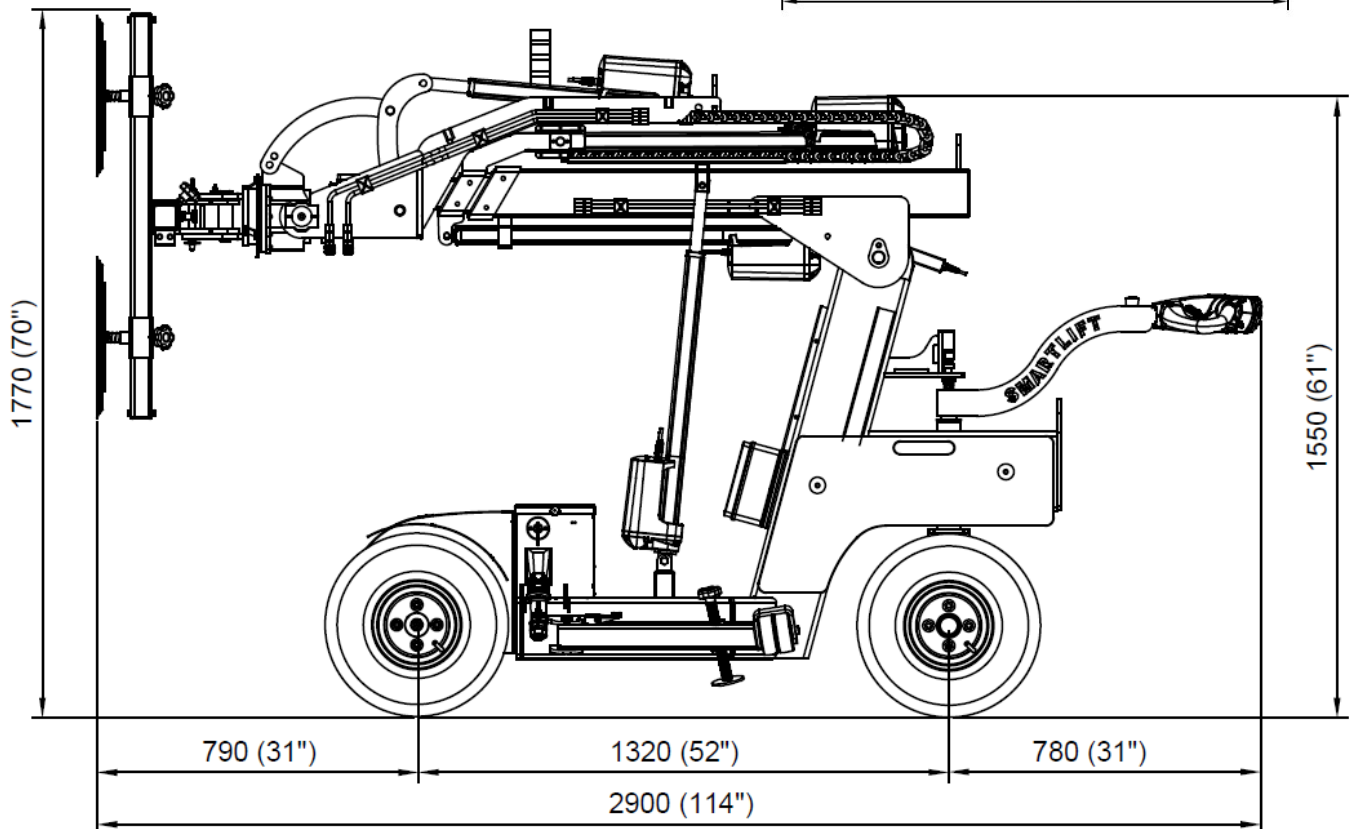
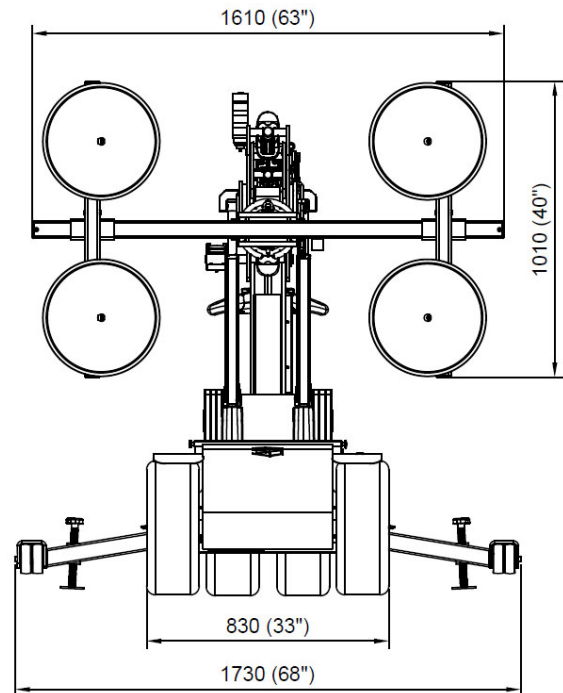


SL609 HLE RT OUTDOOR

TECHNICAL SPECIFICATIONS

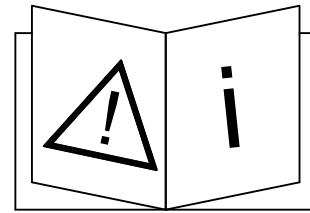
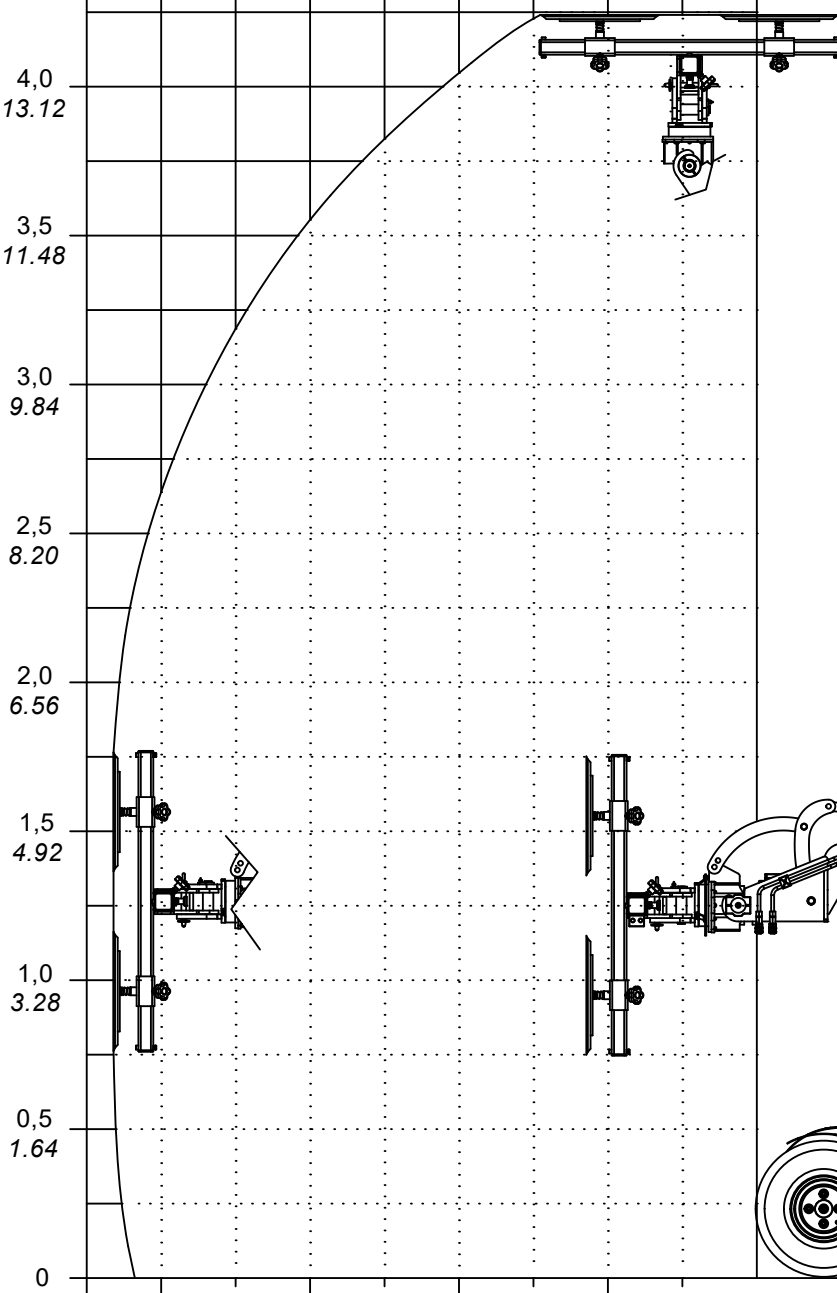
Model	SL609 HLE RT Outdoor
Lifting cap. arm in/out	600/150 kg - 1320/330 lb
Lifting height	4250 mm/167 in
Extension of arm	700+900 mm/ 28+35 in
Tip from horizontal	40° back / 100° fwd
Side shift	100 mm / 4 in
Charging voltage	230 V / 110 V
Charging time	Approx. 10 hrs
Running period	Up to 10 hrs
Front-wheel drive	1500 W AC
Suction pads	4 x Ø400 mm / 4 x Ø16 in
Width	830 mm / 33 in
Curb weight	950 kg / 2090 lb



180	250	320	390	460	530	600	kg
400	550	700	860	1010	1170	1320	lbs

SL 609 High Lifter Electric Rotation

m
feet



2.0	1.5	1.0	0.5	0 m
6.56	4.92	3.28	1.64	0 feet