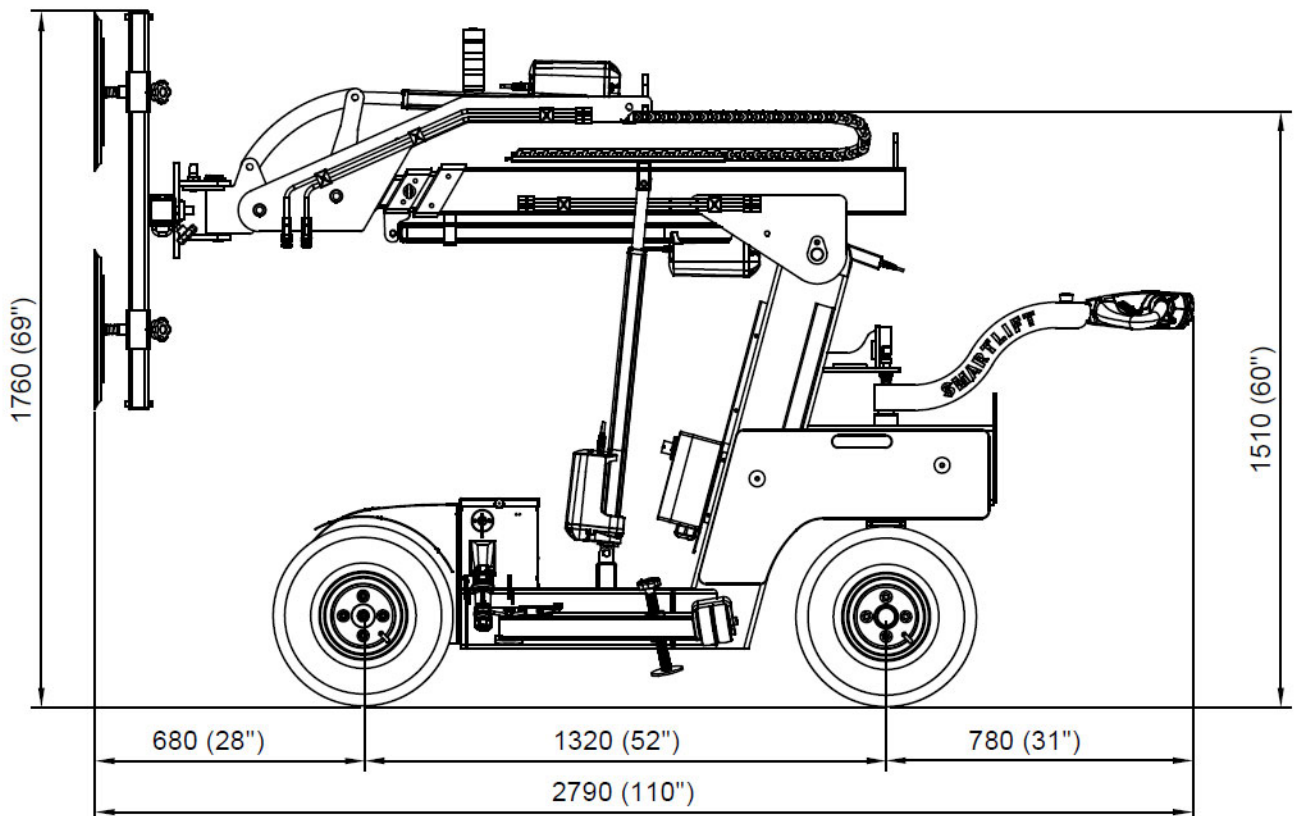
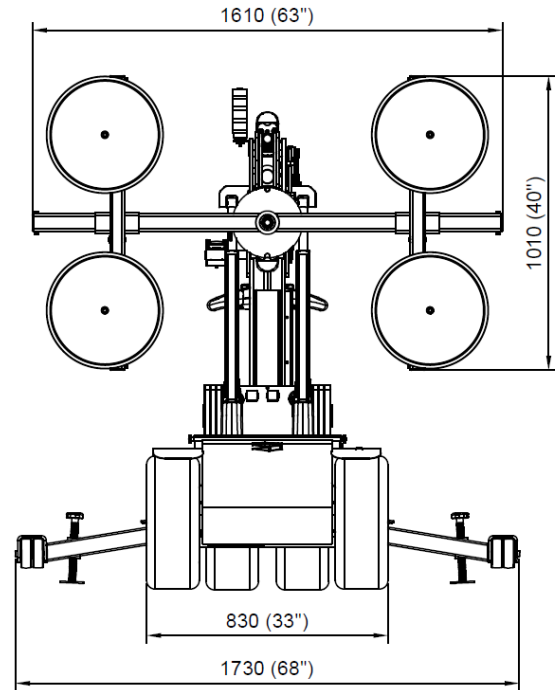


SL 609 OUTDOOR HL

TECHNICAL SPECIFICATIONS

Model	SL 609 Outdoor HL
Lifting cap. arm in/out	600/170kg – 1320/370lb
Lifting height	4150mm/163in
Extension of arm	700+900mm / 28+35in
Tip from horizontal	40° back / 100° fwd
Side shift	100 mm / 4in
Charging voltage	230 V / 110V
Charging time	Approx. 10 hrs.
Running period	Up to 10 hrs.
Front-wheel drive	1200 W AC
Suction pads	4 x Ø400mm / 4 x Ø16in
Width	830mm / 33in
Curb weight	930kg / 2050lb.



SL 609 High Lifter

