

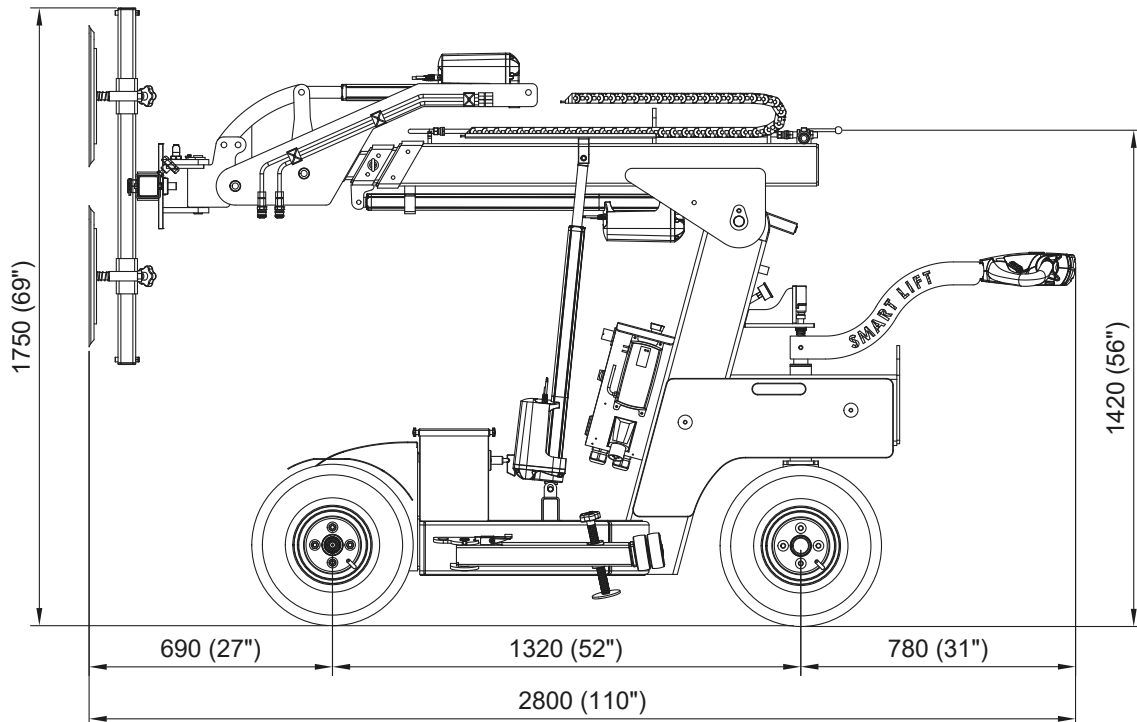
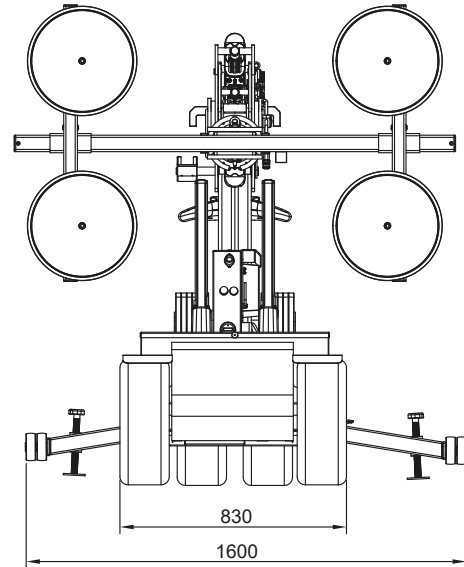


**SMARTLIFT®**

## SL 608 OUTDOOR

### TECHNICAL SPECIFICATIONS

Model	SL 608 Outdoor
Lifting cap. arm in/out	608/280 kg - 1,340/620 lbs
Lifting height	3,400 mm/134 in.
Extension of arm	700 mm/27 in.
Tip from horizontal	40° back / 100° fwd.
Side shift	100 mm / 4 in.
Charging voltage	230 V / 110V
Charging time	Approx. 8 hrs.
Running period	Up to 8 hrs.
Front-wheel drive	1200 W AC
Suction pads	4 x Ø400mm / 4 x Ø16 in.
Width	830 mm / 33 in.
Curb weight	850 kg / 1,875 lbs.
Class	IP 65



# SL608 Outdoor

