

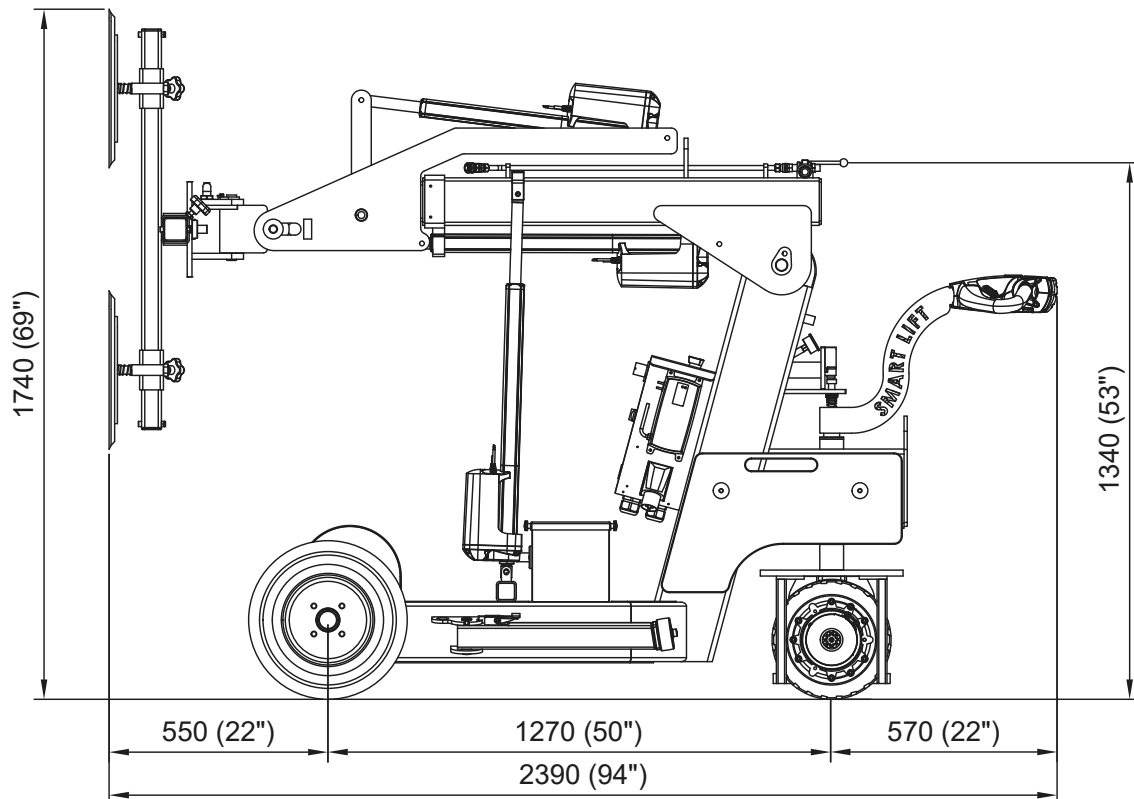
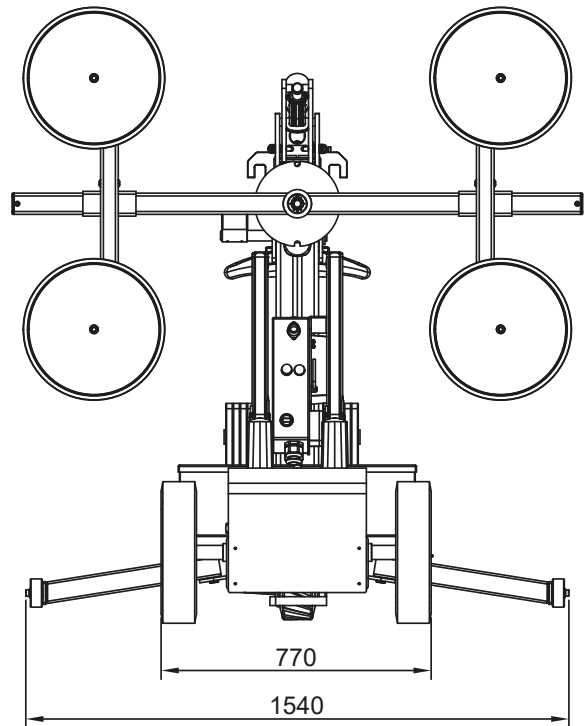


**SMARTLIFT®**

## SL 580 INDOOR

### TECHNICAL SPECIFICATIONS

Lifting cap. arm in/out	580/280 kg - 1,280/620 lbs
Lifting height	2,300 mm / 96 in.
Extension of arm	500 mm / 20 in.
Tip from horizontal	25° back / 105° fwd.
Side shift	100 mm / 4 in
Charging voltage	230 V / 110V
Charging time	Approx. 8 hrs.
Battery (2 x 12V)	2 x 80 Ah
Running period	Up to 10 hrs.
Rear wheel drive	1000 W DC
Brake	Electro-magnetic
Suction pads	4 x Ø400mm / 4 x Ø16 in.
Width	780 mm / 31 in.
Curb weight	697 kg / 1,540 lbs.



# SL 580 INDOOR

