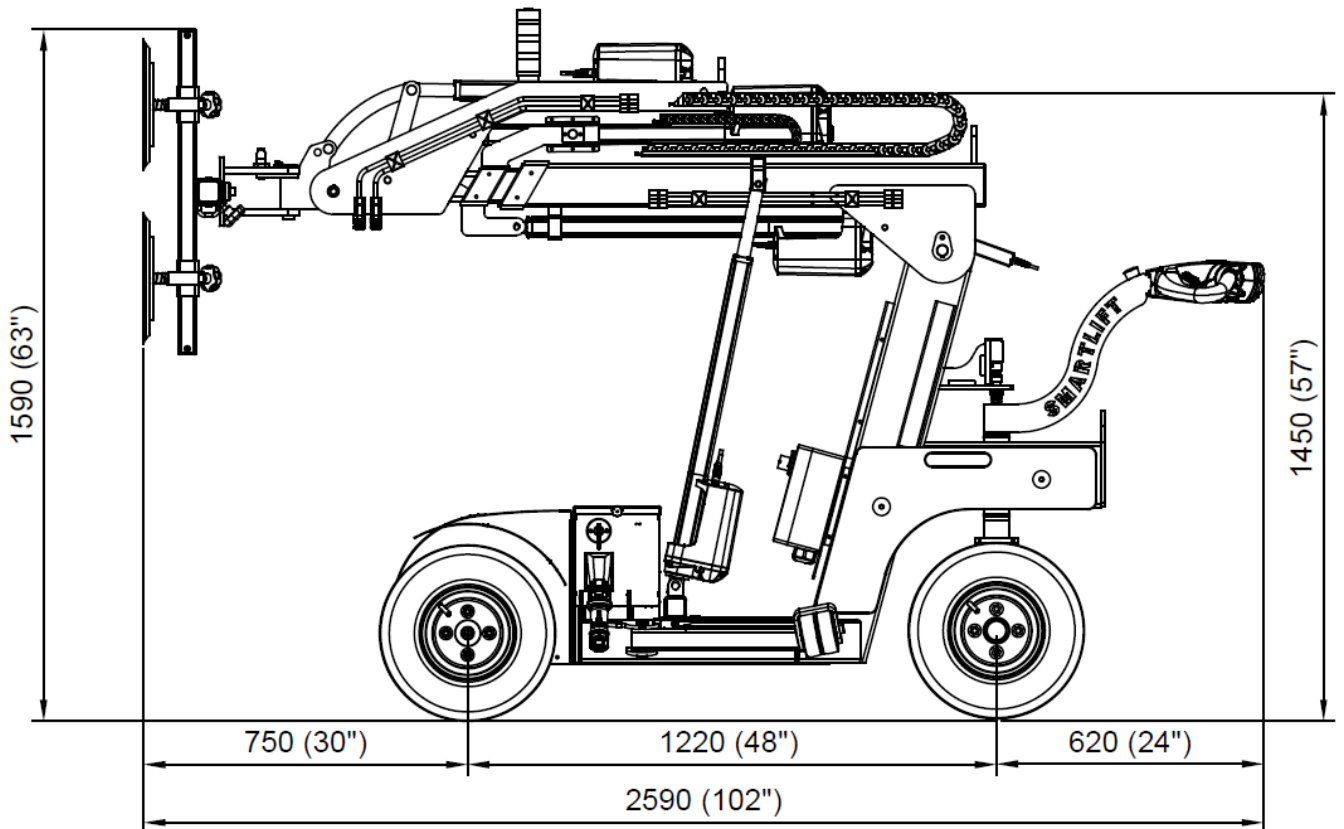
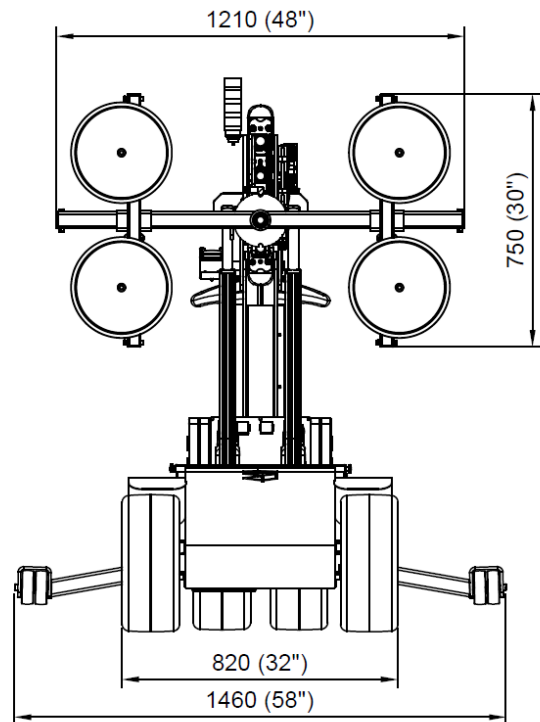


SL 409 OUTDOOR HLE

TECHNICAL SPECIFICATIONS

Lifting cap. arm in/out	430/100kg - 950/220lb
Lifting height	3,650mm / 144in
Extension of arm	600 + 600 mm/24 + 24in
Tip from horizontal	45° back/90° fwd
Side shift	100mm/4in
Charging voltage	230V/110V
Charging time	Approx. 10 hrs
Running period	Up to 10 hrs
Front-wheel drive	1500 W AC
Suction pads	4 x Ø 300mm/Ø12in
Width	820mm / 32in
Curb weight	720kg/1590lb



90	150	210	280	340	430	kg
190	330	470	610	750	950	lb

SL 409 High Lifter Electric

