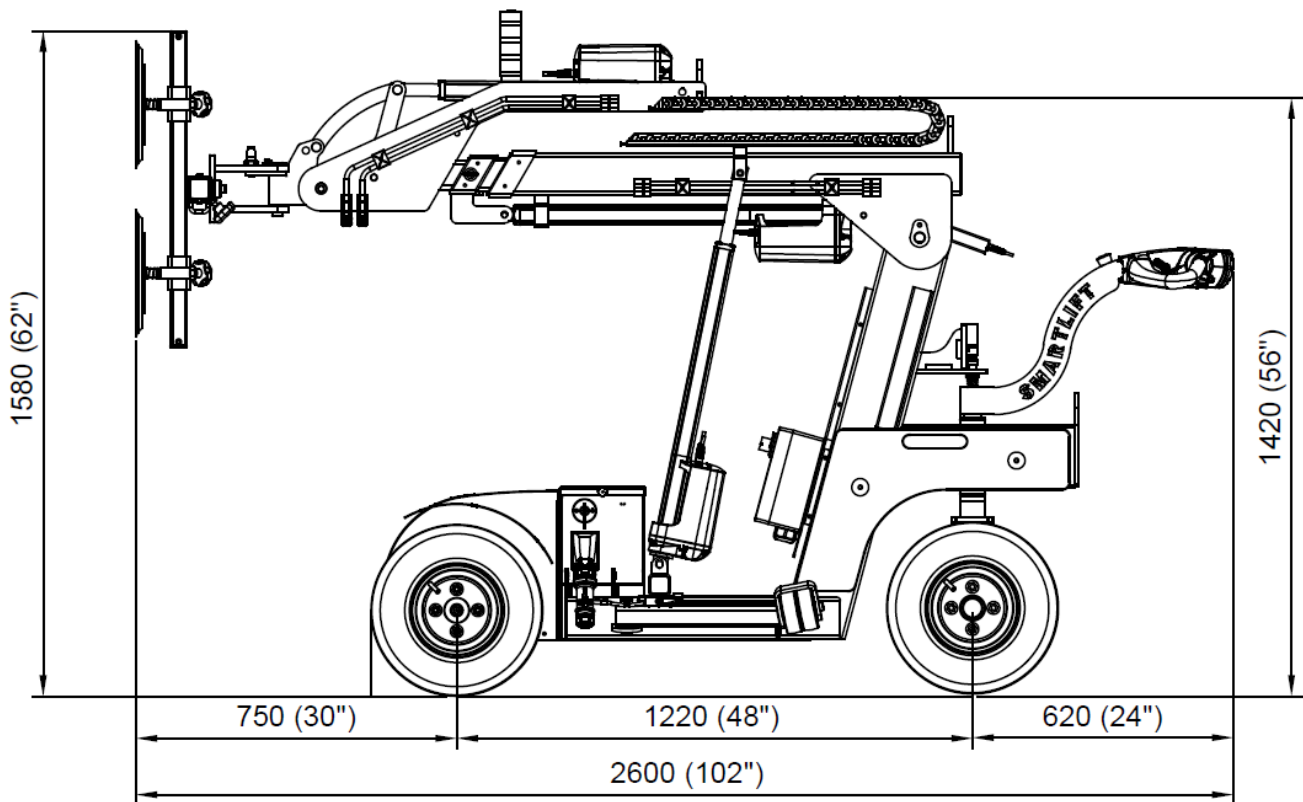
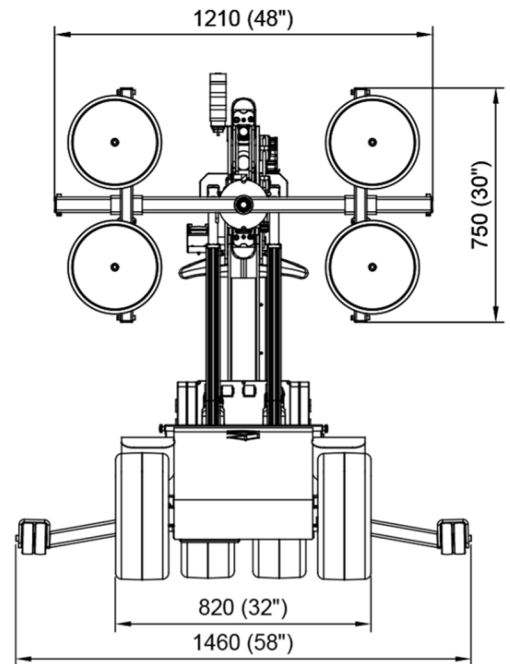


SL409 HL OUTDOOR

TECHNICAL SPECIFICATIONS

Model	SL409 HL Outdoor
Lifting cap. arm in/out	430/100 kg - 950/220 lbs
Lifting height	3650 mm/144 in
Extension of arm	600+600 mm/24 + 24 in
Tip from horizontal	45° back / 90° fwd
Side shift	100 mm / 4 in
Charging voltage	230 V / 110 V
Charging time	Approx. 10 hrs
Running period	Up to 10 hrs
Front-wheel drive	1500 W AC
Suction pads	4 x Ø300 mm / 4 x Ø12 in
Width	820 mm / 32 in
Curb weight	710 kg / 1570 lbs



SL 409 High Lifter

