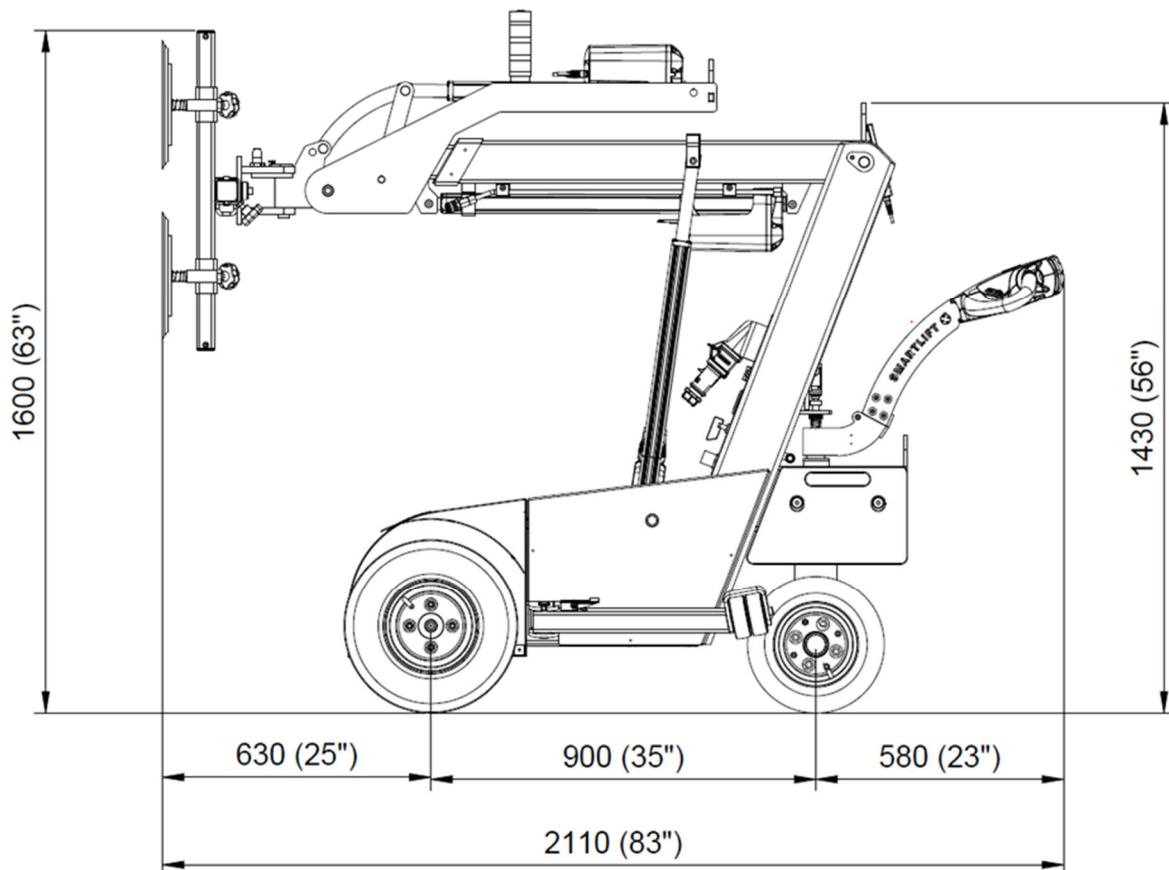
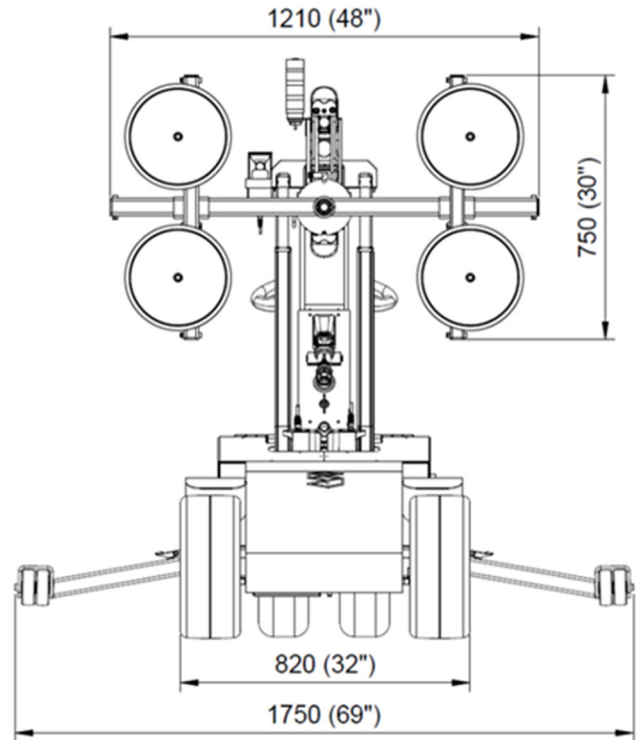


## SL309 OUTDOOR

### TECHNICAL SPECIFICATIONS

Lifting cap. arm in/out	350/170 kg - 770/370 lb
Lifting height	3070 mm/121 in
Extension of arm	600 mm/ 24 in
Tip from horizontal	35° back / 135° fwd
Side shift	100 mm / 4 in
Charging voltage	230 V / 110 V
Charging time	Approx. 10 hrs
Running period	Up to 10 hrs
Front-wheel drive	1500 W AC
Suction pads	4 x Ø300 mm / 4 x Ø12 in
Width	820 mm / 32 in
Curb weight	620 kg / 1370 lb



# SL 309

170	240	350	350	kg
370	530	770	770	lb

m  
feet

3,0  
9.84

2,5  
8.20

2,0  
6.56

1,5  
4.92

1,0  
3.28

0,5  
1.64

0  
0

1,0  
3.28

0,5  
1.64

0 m  
0 feet

