

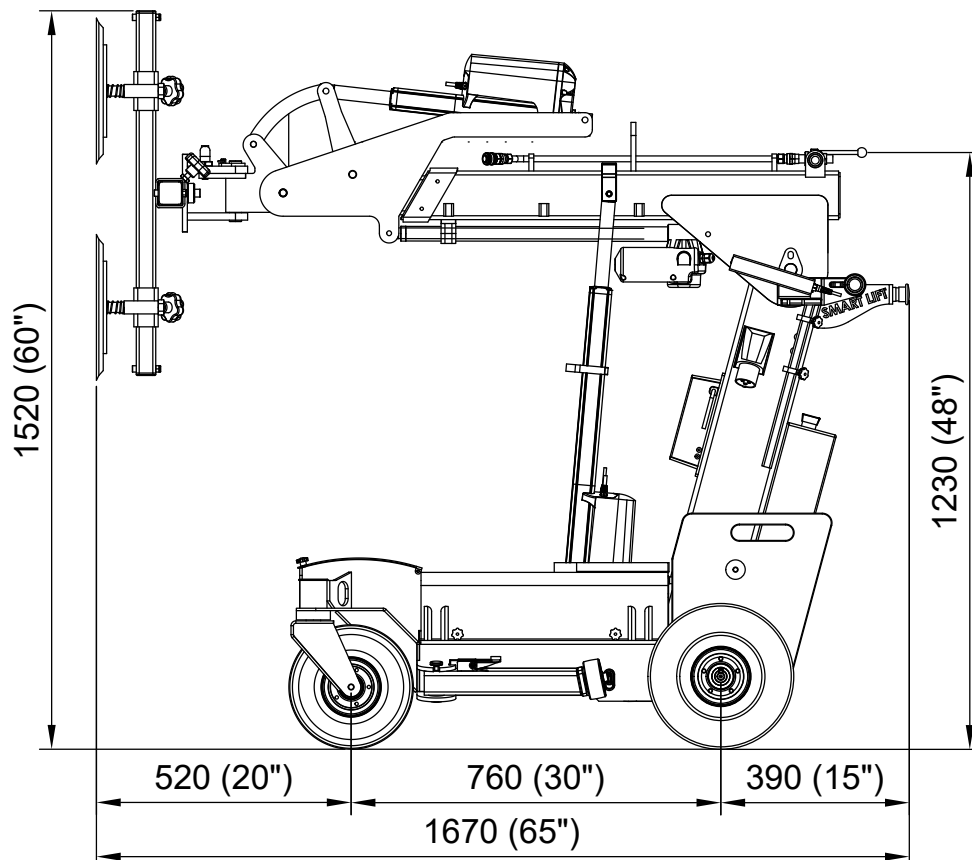
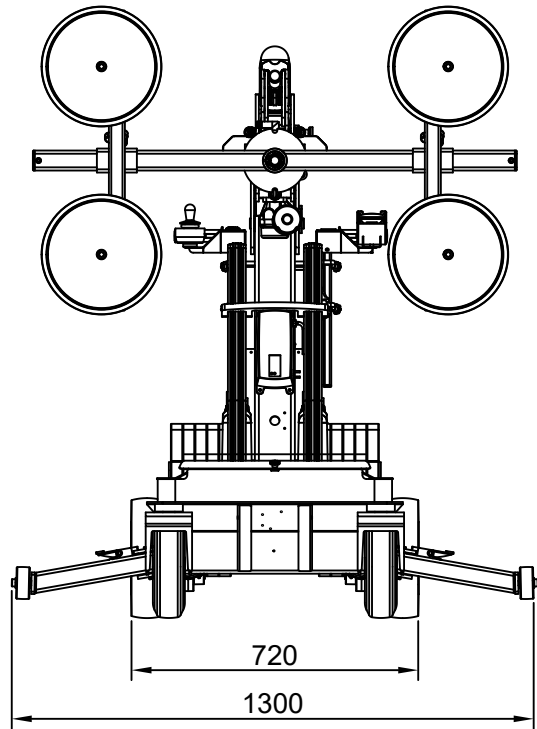


SMARTLIFT®

SL 208 INDOOR

TECHNICAL SPECIFICATIONS

Lifting cap. arm in/out	208/150 kg - 460/330 lbs.
Lifting height	2,740 mm / 108 in.
Extension of arm	500 mm / 20 in.
Tip from horizontal	54° back / 53° fwd.
Side shift	-
Charging voltage	230 V / 110V
Charging time	Approx. 8 hrs.
Battery (2 x 12V)	2 x 70 Ah
Running period	Up to 10 hrs.
Rear-wheel drive	2 x 1,500 W DC
Brake	Electro-magnetic
Suction pads	4 x Ø200mm / 4 x Ø7.9 in.
Width	720 mm / 28 in.
Curb weight	480 kg / 1,060 lbs.



SL 208 INDOOR

