

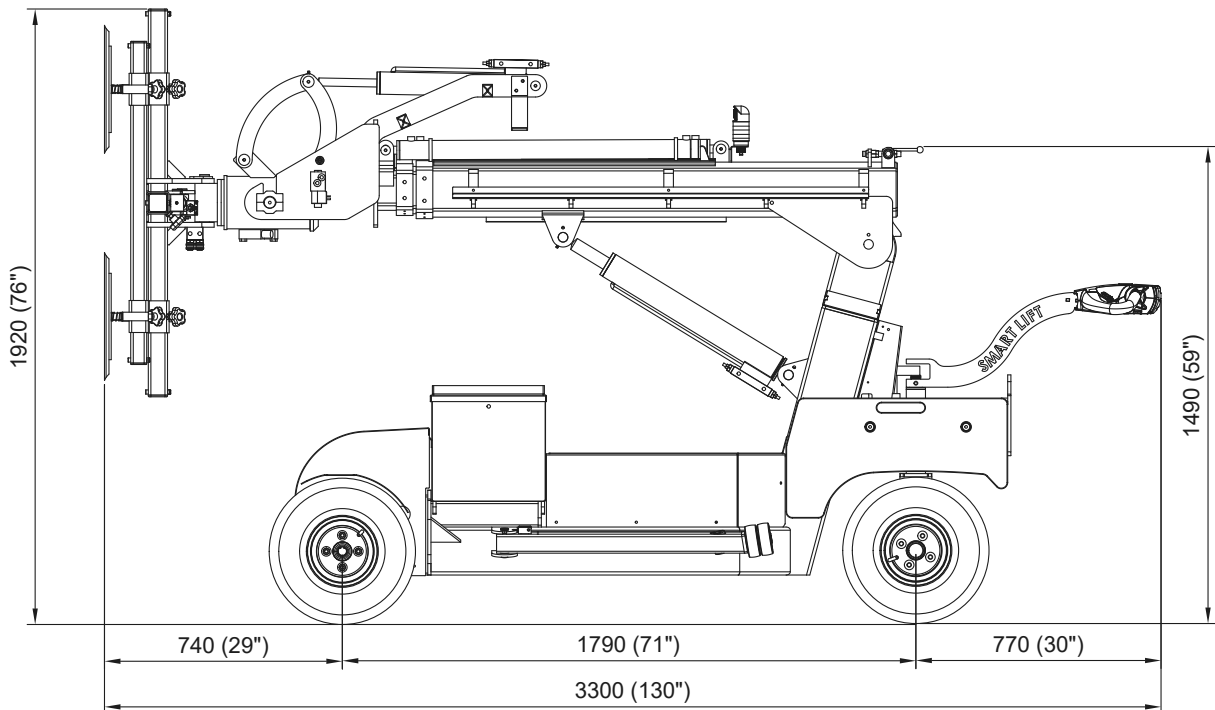
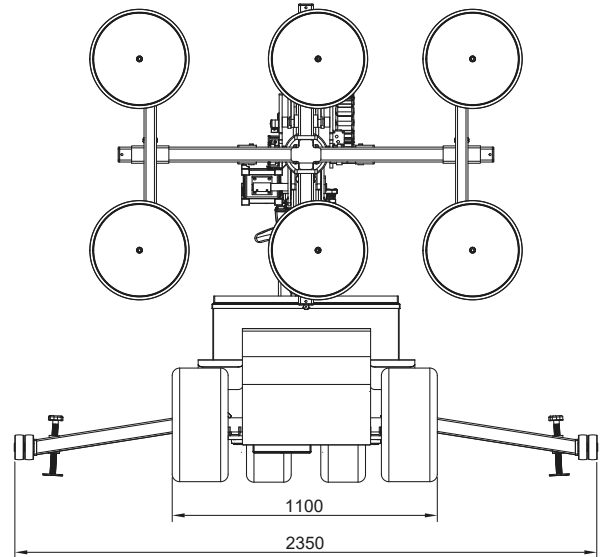


SMARTLIFT®

SL 1008 OUTDOOR

TECHNICAL SPECIFICATIONS

Lifting cap. arm in/out	1,000 / 280 kg - 2,200 / 620 lbs.
Lifting height	4,400 mm / 173 in.
Extension of arm	2 x 830 mm / 2 x 33 in.
Tip from horizontal	42° back / 86° fwd.
Side shift	100 mm / 4 in.
Charging voltage	230V / 110V
Charging time	Approx. 8 hrs.
Battery	4 x 134 Ah AGM
Running period	Up to 8 hrs.
Front-wheel drive	2000 W AC
Suction pads	6 x Ø400mm / Ø16 in.
Width	1,010 mm / 40 in.
Curb weight	1,300 kg / 2,860 lbs.
Class	IP 65



SL1008 Outdoor

