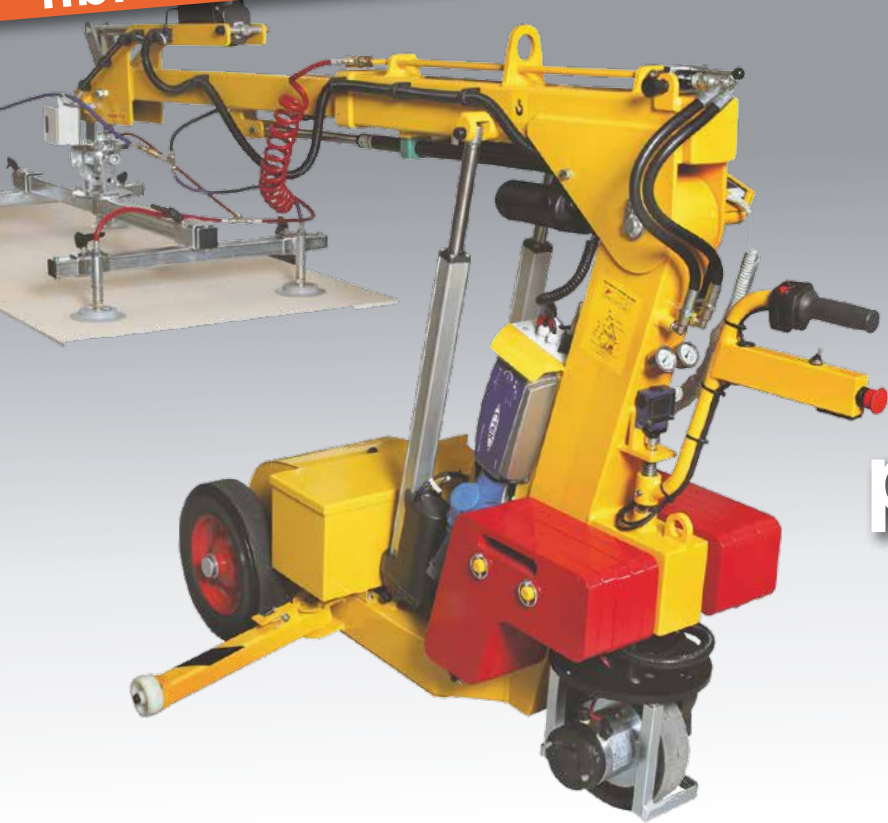


For plasterboard,  
fibre board etc.

**SL Gipsy**  
for indoor use



# Handles plasterboards the easy way

Smartlift has developed a special version of the popular self-driven Smartlift which has been designed for working with plasterboard, fibre board, etc.

- Two vacuum circuits with two pumps
- Stepless in all its movements
- Automatic setting to horizontal or vertical position via gyro system
- Double speed on lift, extension and tilt
- Self-propelled
- Labour-saving
- Enhances the working environment
- Tried-and-tested Danish quality



*SL Gipsy has a built-in gyro system to allow the lift to find a horizontal or vertical position quickly and automatically.*

N.A. Christensensvej 39  
DK-7900 Nykøbing Mors  
Tel: +45 97 72 29 11  
E-mail: smart@smartlift.dk  
www.smartlift.dk

**Smart Lift**  
DENMARK



The lift has a side extension to the last correction of the plasterboards before installation.



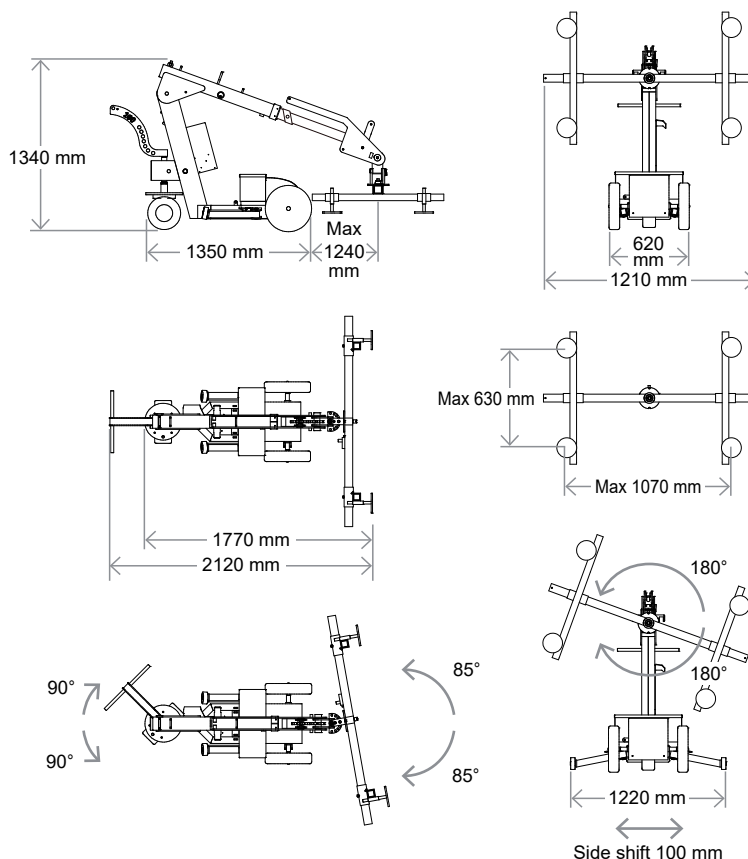
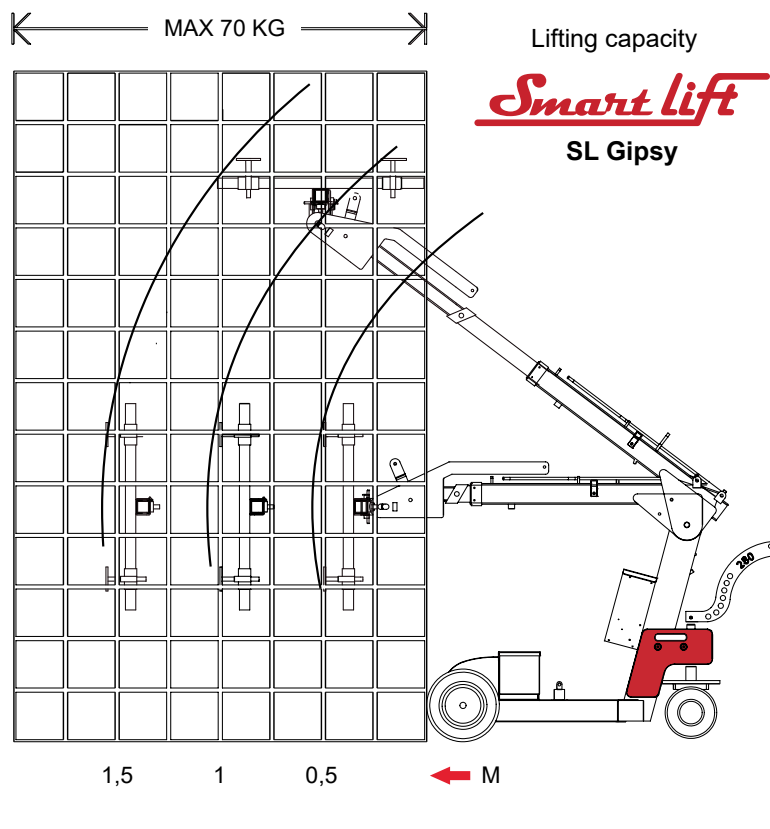
The beam has a manual extension in addition to the electrical.



SL Gipsy runs at double speed when lifting, extending and tilting, and therefore meets demands for a rapid tempo often required in fitting work.

## Technical data

| Description              | Value                |
|--------------------------|----------------------|
| Weight                   | 480 kg               |
| Height                   | 1340 mm              |
| Width (min)              | 620 mm               |
| Length (min)             | 2120 mm              |
| Extension of arm         | 500 mm               |
| Tip from horizontal      | 50° back/50° forward |
| Side shift               | 100 mm               |
| Voltage charger          | 230 volt             |
| Integrated charger       | MXT 14               |
| Charging time            | Approx 8 hours       |
| Battery (2x12 v) 24 volt | 2 x 60 A             |
| Running period           | Approx 24 hours      |
| Propelling engine        | 700 Watt             |
| Suction discs            | 4 x Ø 125 mm         |



N.A. Christensensvej 39  
 DK-7900 Nykøbing Mors  
 Tel: +45 97 72 29 11  
 E-mail: smart@smartlift.dk  
 www.smartlift.dk